

TRIATEK FMS REMOTE MONITOR



FMS1650-F-R Stainless Steel Flush Mount

FMS-1650-x-R FEATURES:

- User friendly touch screen display
- Low profile, flush mount & surface mount models available
- No additional transformer needed
- Configurable display shows only the parameters requiring monitoring
- Audible and visual alarms



FMS1650-S-R Surface Mount

“AT A GLANCE” REMOTE MONITORING

Extend the reach and capabilities of your current FMS-1650 room controller by adding an additional remote display in another room and allow personnel close surveillance of room conditions from a distance.

The FMS1650-x-R communicates directly with existing FMS1650 controllers and is updated instantaneously as room conditions change. Furthermore, the remote monitor is powered from the host controller and therefore, the remote monitor can be mounted on just about any wall or surface that the 4-conductor cable can be run to.

Like the controller, the FMS1650-x-R shares the same full color, LCD touch screen featuring the “At a Glance” reporting

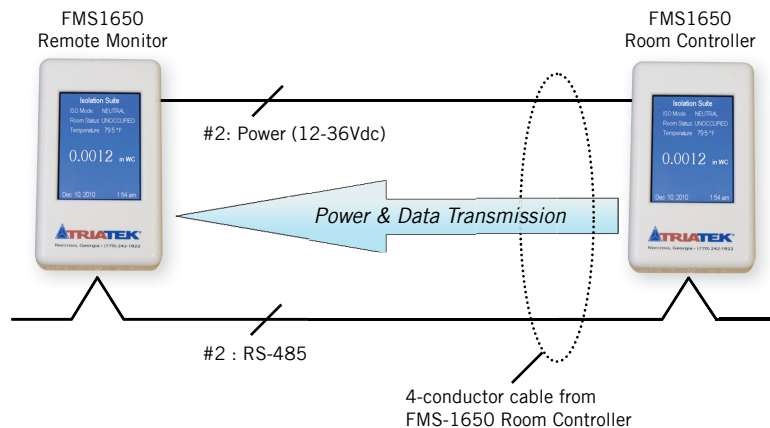
feature. Additionally, the remote monitor can be configured to report on just those room variables you wish to closely monitor.

Other features include:

- Report room status, temperature, humidity, pressure, air changes and overall room conditions simultaneously
- Easy set up and wiring
- Password protection
- Audible and visual alarms
- Optional custom logo available

TRIATEK FMS REMOTE MONITOR

Specifications	
FMS-1650-x-R Remote Monitor	
Monitoring Capacity	(1) FMS-1650
Recommended Cable Type	Belden 3107A, 18 AWG minimum
Touch Screen User Interface	
LCD Size	3.2" diagonal
Resolution	240 x 320
Viewing Area	50.60 mm x 66.80 mm
Color Depth	18-bit or 262K colors
Backlight Color	White
Luminous Intensity	min 2500 cd/m2
Mechanical	
Mounting Options	Surface (plastic) or Flush (stainless)
Mounting Dimensions: Surface (plastic)	3"W x 5"H x 3/4"D
Mounting Dimensions: Flush (stainless)	5"W x 8"H x 3/4"D
Environmental	
Operating Temperature	32°F to 125°F
Operating Humidity	10% to 95% RH, non-condensing
Mounting Dimensions	
Surface	7.457"H x 4.526"W



Part Number Guide:

FMS1650 - - R

Case Style
S = surface
F = flush



4487 Park Drive, Suite A-2 • Norcross, GA 30093
Phone: (770) 242-1922 • www.triatek.com